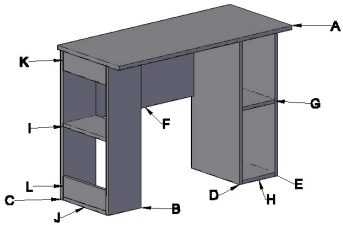


**STUDY TABLE ADRIA
G0223IT1128 G0223IT1129**

Installation Instructions

1. This product should only be installed by someone who fully understand the installation instructions.
2. Make sure that the supporting surface will safely support the combined load of the equipment, hardware & components
3. Never exceed the maximum load capacity.
4. Always use assistant or mechanical lifting equipment, if needed, to safely lift & position equipment.
5. Tighten screws firmly, but do not over-tighten. Over-tightening can damage the screw & reduce their holding power
6. This product is intended for indoor use only. Using this product outdoors could lead to product failure & personal injury.

Component Checklist



JCBC / DW SCREWS
For Direct Installation
as given Instruction



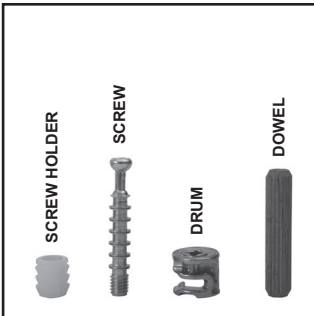
Minifix Screw Set

Installation Steps

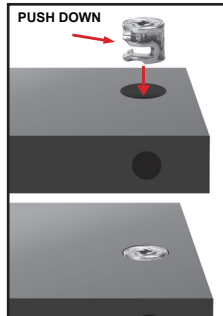
STEP 1

FIX ALL Minifix-Screws and Minifix-Drums:

MINIFIX SET

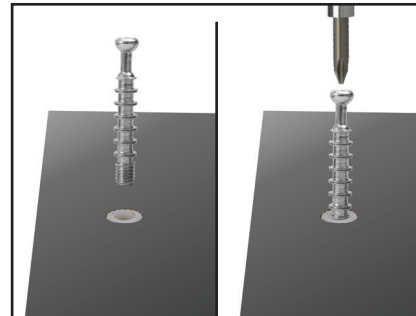


DRUM INSERTING



Note: Make sure Drum inserting as same as above, Drum arrow direction at side surface hole side.

SCREW INSERTING



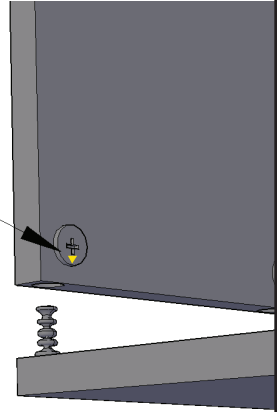
Note: Tight the screw clock-wise till the thread disappear.

STEP 2

Unlock Mode:

Note: Make sure all the given points otherwise it will not fix properly.

**Minifix-Drum
Arrow at Hole
Side Before
Inserting Minifix-Screw**

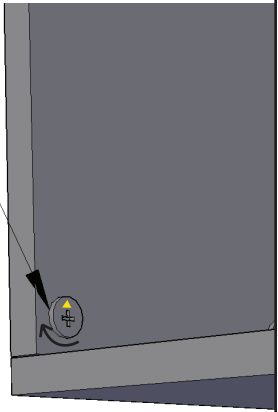


STEP 3

Lock Mode:

Note: Tight all Minifix-Drum Properly.

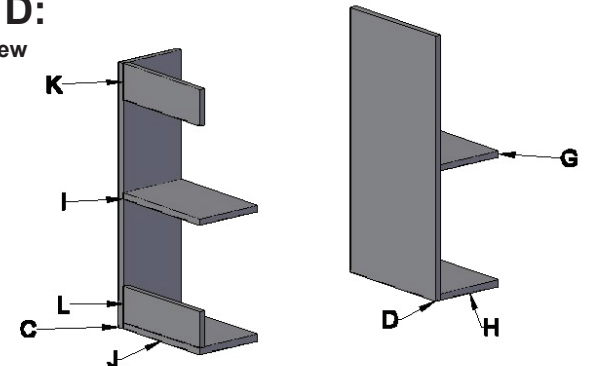
**Tight Minifix-Drum
Clock-wise
Till It Stops
and Fits properly**



STEP 4

**Connect L with J; Connect L&J, I, K with C;
Connect H, G with D:**

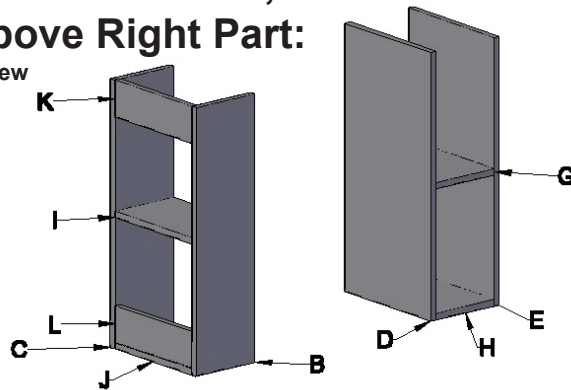
Note: Tighten all JCBC / DW Screw OR Minifix-Drum Properly.



STEP 5

**Connect B with Above Left Part;
Connect D with Above Right Part:**

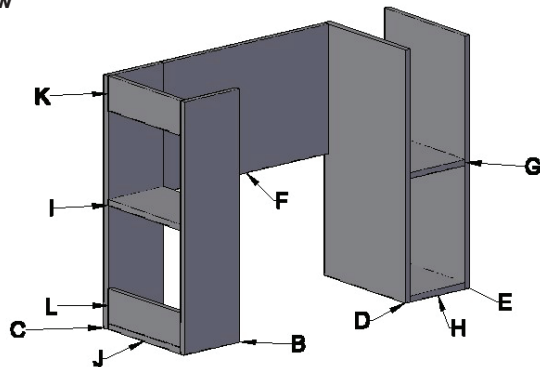
Note: Tighten all JCBC / DW Screw
OR Minifix-Drum
Properly.



STEP 6

Connect above both parts with F (back):

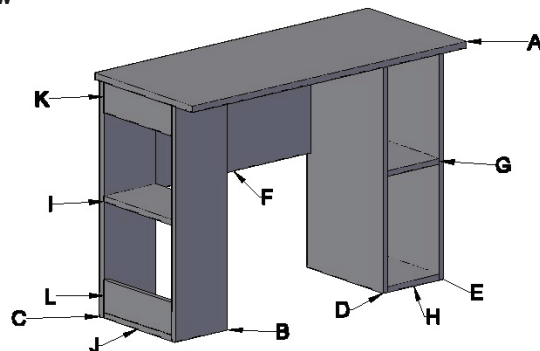
Note: Tighten all JCBC / DW Screw
OR Minifix-Drum Properly.



STEP 7

Connect A to Above set:

Note: Tighten all JCBC / DW Screw
OR Minifix-Drum
Properly.



INSTALLATION GUIDE

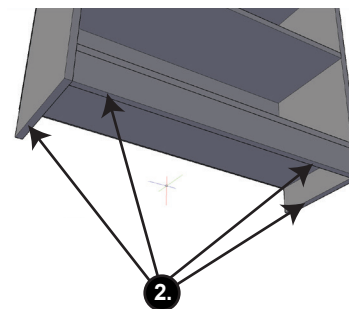
**STUDY TABLE ADRIA
G0223IT1128 G0223IT1129**

Having Problems with INSTALLATION???
Got a Broken Part??? | **DON'T WORRY !!**



JUST CALL / WHATSAPP
+919537597067

How to Connect Buffers at Bottom Base



2. Connect Given Buffers at this marks by nails or screws

1. Different types of Buffers

